

ANTI VANDAL PUSHBUTTONS

Anti-vandal pushbutton - flat

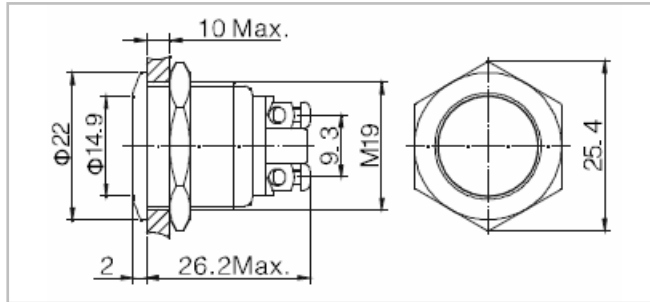


2A - 48VDC - Monostable
 OFF - (ON) - SPDT
 Material: Nickel - messing
 Mounting hole: Ø19mm
DS1001

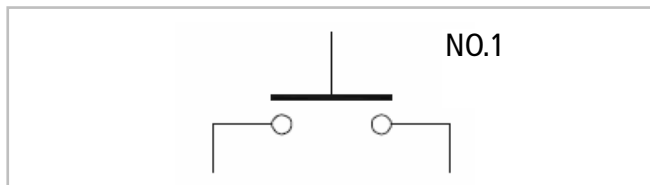
Anti-vandal pushbutton - round



2A - 48VDC - Monostable
 OFF - (ON) - SPDT
 Material: Nickel - messing
 Mounting hole: Ø19mm
DS1011



Operational temperature: -20°C - +70°C
 Insulation resistance: 1000MΩ at 500VDC
 Contact resistance: 50mΩ max. at 1A 2V
 Contact material: Silver alloy
 Contact: NO.1 (zie figuur)
 Mechanical life: 1.000.000 cycles
 Electrical life: 100.000 cycles
 Diëlectrical strength: Min. 2000V - 50Hz
 Panel thickness: 1 - 8mm
 Pressure: 5,5N
 IP degree: IP65



Doorbell pushbutton



2A - 48VDC - Monostable
 OFF - (ON) - SPDT
 Mounting hole: Ø16mm
DS1021

Pushbutton Monostable single pole



3A max - monostable
 24VDC - 1A
 230VAC - 0,5A
 SPDT - 1NO 1NC
 Mounting hole: Ø16mm
DS2003

Pushbutton Bistable single pole HIGH

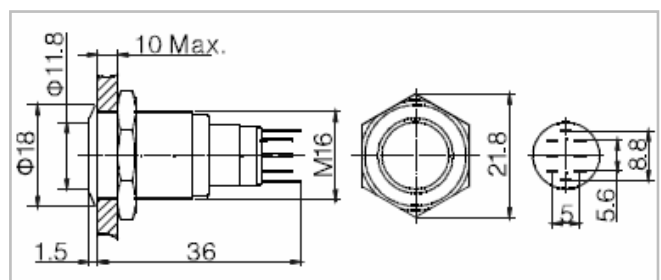


3A max - bistable
 24VDC - 1A
 230VAC - 0,5A
 SPDT - 1NO 1NC
 Mounting hole: Ø16mm
DS2203

Pushbutton bistable single pole



3A max - bistable
 24VDC - 1A
 230VAC - 0,5A
 SPDT - 1NO 1NC
 Mounting hole: Ø16mm
DS2103



ANTI VANDAL PUSHBUTTONS

Pushbutton Monostable double pole



3A max - monostable
24VDC - 1A
230VAC - 0,5A
DPDT - 2NO 2NC
Mounting hole: Ø16mm
DS2024

Pushbutton bistable double pole HIGH



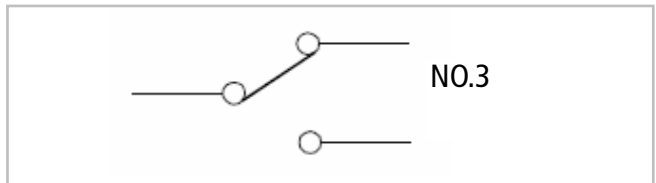
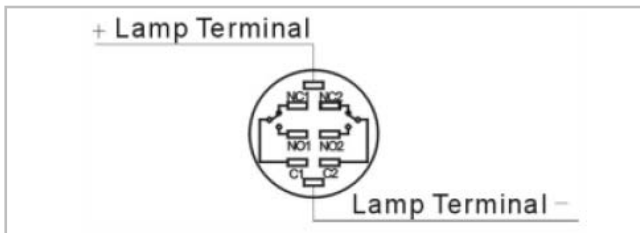
3A max - monostable
24VDC - 1A
230VAC - 0,5A
DPDT - 2NO 2NC
Mounting hole: Ø16mm
DS2224

Pushbutton bistable double pole



3A max - bistable
24VDC - 1A
230VAC - 0,5A
DPDT - 2NO 2NC
Mounting hole: Ø16mm
DS2124

Operational temperature: -20°C - +70°C
Insulation resistance: 1000MΩ at 500VDC
Contact resistance: 50mΩ max. at 1A 2V
Contact material: Silver alloy
Contact: NO.3 (see figure)
Mechanical life: 1.000.000 cycles
Electrical life: 50.000 cycles
Diëlectrical strength: Min. 2000V - 50Hz
Material: Nickel messing
Pressure 5,5N
IP degree: IP40/IP68



Illuminated pushbuttons - illuminated ring in red, blue, white and green

For illuminated pushbuttons 12VDC leds are used. Their life is more than 40.000h.

Operational temperature: -20°C - +70°C
Relative humidity: 45 -85% Relative Humidity
Insulation resistance: > 1000MΩ
Contact resistance: < 50mΩ
Contact material: Silver - Silver CdO
Contact: NO. 3 (see figure)
Material: Nickel - messing
Diëlectrical strength: Between contact and led terminals: 1500VAC
Between terminals of similar poles: 1000VAC
Between terminals of different poles: 2000VAC

Mechanical life: 1.000.000 cycles
Electrical life: 50.000 cycles
IP degree: IP40/IP68

Pushbutton - Red LED ring



3A max - monostable
24VDC - 1A
230VAC - 0,5A
SPDT - 1NO 1NC
D:Ø16mm
12V LED Red
DS3002



3A max - bistable
24VDC - 1A
230VAC - 0,5A
SPDT - 1NO 1NC
D: Ø16mm
12V LED Red
DS3102



3A max - bistable
High model
24VDC - 1A
230VAC - 0,5A
SPDT - 1NO 1NC
D: Ø16mm
12V LED Red
DS3202

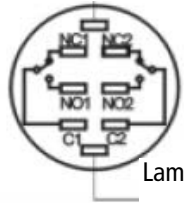
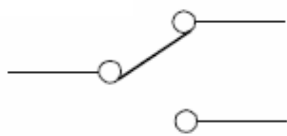
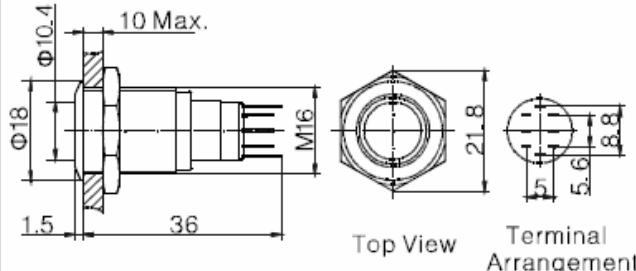
Anti Vandal Pushbuttons

Single pole pushbutton - blue LED ring

 <p>3A max - monostable 24VDC - 1A 230VAC - 0,5A SPDT - 1NO 1NC D: Ø16mm 12V LED Blue DS3012</p>	 <p>3A max - bistable 24VDC - 1A 230VAC - 0,5A SPDT - 1NO 1NC D: Ø16mm 12V LED Blue DS3112</p>	 <p>3A max - bistable high model 24VDC/1A 230VAC / 0,5A SPDT - 1NO 1NC D: Ø16mm 12V LED Blue DS3212</p>
-----------------------------------------------------------------------------------------------------------------------------------------------------------------------------------------------------------------	----------------------------------------------------------------------------------------------------------------------------------------------------------------------------------------------------------------	---------------------------------------------------------------------------------------------------------------------------------------------------------------------------------------------------------------------------

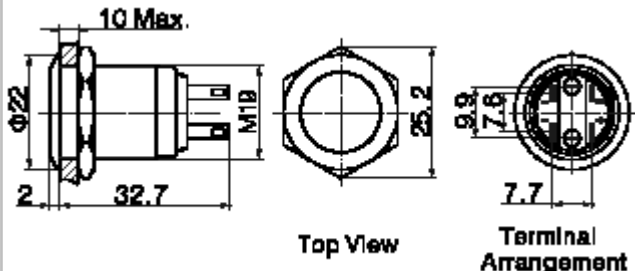
Single pole pushbutton - white LED ring

 <p>3A max - monostable 24VDC - 1A 230VAC - 0,5A SPDT - 1NO 1NC D: Ø16mm 12V LED white DS3022</p>	 <p>3A max - bistable 24VDC - 1A 230VAC - 0,5A SPDT - 1NO 1NC D: Ø16mm 12V LED White DS3122</p>	 <p>3A max - bistable High model 24VDC 1A 230VAC - 0,5A SPDT - 1NO 1NC D: Ø16mm 12V LED White DS3222</p>
------------------------------------------------------------------------------------------------------------------------------------------------------------------------------------------------------------------	-----------------------------------------------------------------------------------------------------------------------------------------------------------------------------------------------------------------	----------------------------------------------------------------------------------------------------------------------------------------------------------------------------------------------------------------------------

<p>Lamp terminal +</p>  <p>Lamp terminal -</p>	<p>NO.3</p> 	 <p style="text-align: right;">Top View Terminal Arrangement</p>
-----------------------------------------------------------------------------------------------------------------------------------	-------------------------------------------------------------------------------------------------	----------------------------------------------------------------------------------------------------------------------------------------------------------

Stainless Steel pushbuttons - 19mm diameter

Operational temperature:	-20°C - +70°C
Insulation resistance	> 1000MΩ
Contact resistance:	< 50mΩ
Contact material;	Silver - Silver CdO
Contact:	NO. 2 (see figure)
Material:	Stainless Steel
Dielectrical strength:	2000VAC
Mechanical life:	1.000.000 cycles
Electrical life:	50.000 cycles
Pressure	5.5N
Degree of protection:	IP65
Life of 12V LEDs:	> 40000u.

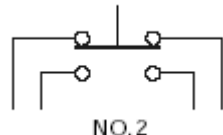


Top View Terminal Arrangement

Pushbutton single pole



Monostable
250VAC - 5A
SPDT - 1NO 1NC
Stainless Steel
D: Ø19mm
DS4003



NO.2

Anti vandal pushbuttons

Pushbutton single pole - red illuminated



Monostable
250VAC - 5A
SPDT - 1NO 1NC
Stainless Steel
Montagegat: Ø19mm
12V LED red
DS5002

Pushbutton single pole - white illuminated



Monostable
250VAC - 5A
SPDT - 1NO 1NC
Stainless Steel
Montagegat: Ø19mm
12V LED white
DS5022

Pushbutton single pole - blue illuminated



Monostable
250VAC - 5A
SPDT - 1NO 1NC
Stainless Steel
Montagegat: Ø19mm
12V LED blue
DS5012